

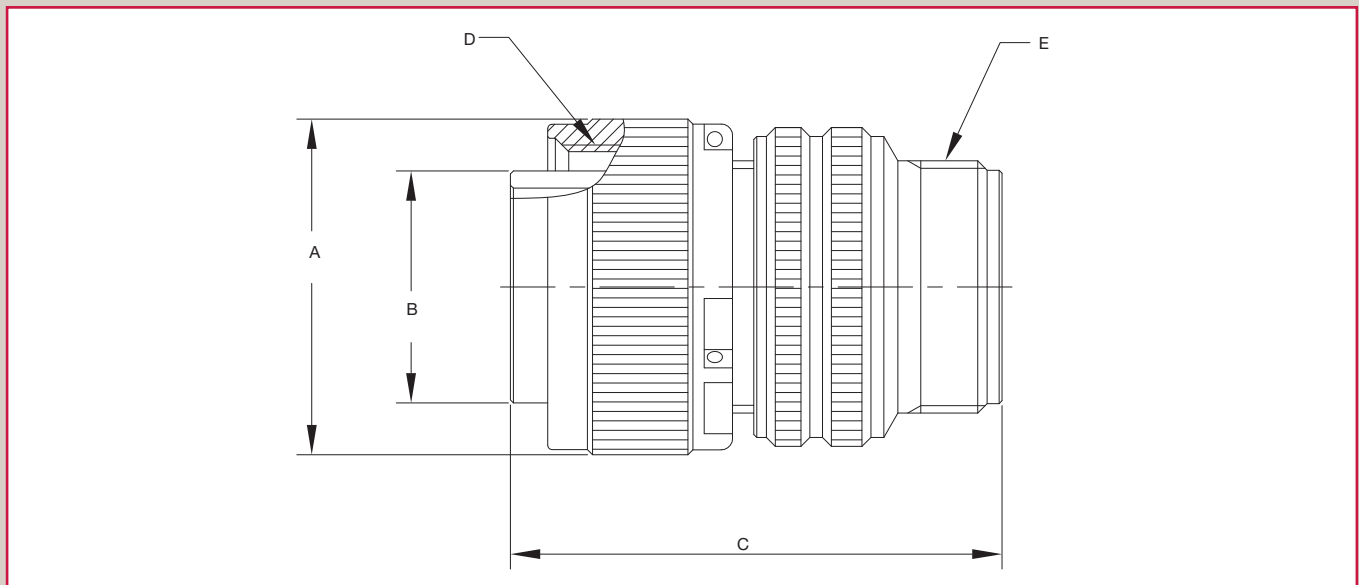
Straight Plug (MS3106 Type) - C3106 Class A



- Includes adapter designed to accept C3057 and MS3057 standard backshells.
- Available with optional RoHS compliant plating.

DIMENSIONS					
PART NUMBER	A DIA. MAX.	B REF.	C MAX.	D THREAD	E THREAD
C3106A10SL-	0.97 (24.6)	0.45 (11.3)	1.53 (38.9)	5/8-24UNEF	5/8-24UNEF
C3106A12S-	1.06 (27.0)	0.56 (14.1)	1.69 (42.9)	3/4-20UNEF	5/8-24UNEF
C3106A12-	1.06 (27.0)	0.56 (14.1)	2.06 (52.4)	3/4-20UNEF	5/8-24UNEF
C3106A14S-	1.16 (29.4)	0.68 (17.2)	1.69 (42.9)	7/8-20UNEF	3/4-20UNEF
C3106A14-	1.16 (29.4)	0.68 (17.2)	2.06 (52.4)	7/8-20UNEF	3/4-20UNEF
C3106A16S-	1.25 (31.8)	0.81 (20.5)	1.69 (42.9)	1-20UNEF	7/8-20UNEF
C3106A16-	1.25 (31.8)	0.81 (20.5)	2.06 (52.4)	1-20UNEF	7/8-20UNEF
C3106A18-	1.34 (34.1)	0.93 (23.6)	2.06 (52.4)	1 1/8-18UNEF	1-20UNEF
C3106A20-	1.47 (37.3)	1.05 (26.7)	2.19 (55.6)	1 1/4-18UNEF	1 3/16-18UNEF
C3106A22-	1.59 (40.5)	1.18 (29.9)	2.19 (55.6)	1 3/8-18UNEF	1 3/16-18UNEF
C3106A24-	1.72 (43.7)	1.30 (33.0)	2.31 (58.7)	1 1/2-18UNEF	1 7/16-18UNEF
C3106A28-	1.97 (50.0)	1.52 (38.6)	2.31 (58.7)	1 3/4-18UNEF	1 7/16-18UNEF
C3106A32-	2.22 (56.4)	1.77 (45.0)	2.44 (61.9)	2-18UNS	1 3/4-18UNS
C3106A36-	2.47 (62.7)	1.98 (50.3)	2.44 (61.9)	2 1/4-16UN	2-18UNS

Note: Dimensions in inches (mm).



Connectors